

Terminal Block, Header

STB1001V-7.5-XX

Description

The STB1001V-7.5-XX is a Terminal Block Vertical Header with a 7.5 mm pitch. The connector is available from 2 up to 24 poles and optionally in a Horizontal orientation.



Typical applications

- Wire to Board
- Board to Wire



Features

Mechanical Properties	Description
Connector Type	Header
Orientation	Vertical
Dimensions	(Poles *7.5) x 12.0 x 8.6 mm ± 0.2
Operating Temperature Range	-40°C~+105°C
Pitch	7.5 mm
Poles	2-24 Poles
Insulator body	PA66, UL94V-0
Pin header	Copper Alloy, Sn plated

Terminal Block, Header

STB1001V-7.5-XX

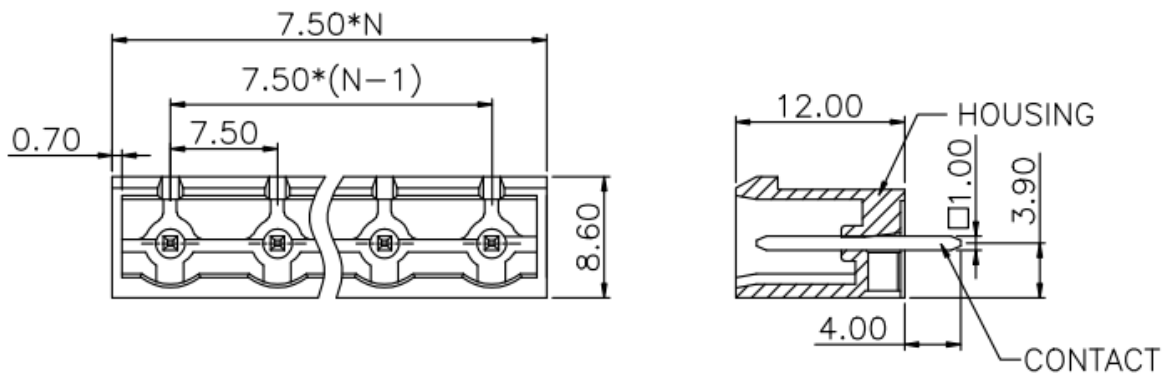
Electrical Properties

Description

Standard	UL	IEC
Rated Voltage	300V	400V
Rated Current	15A	20A
Withstanding Voltage	AC 1600V / Min.	

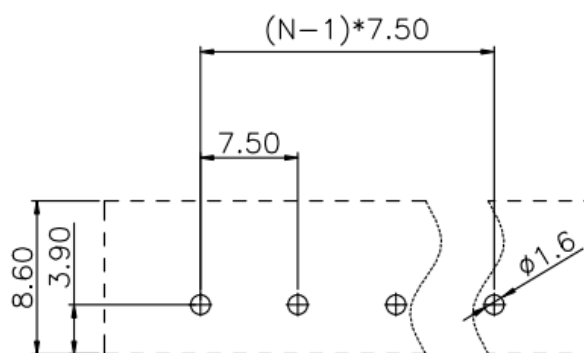
Dimensions

*unit: mm, N= number of poles



PCB Footprint

*unit: mm , N = number of poles



PCB LAYOUT

Terminal Block, Header

STB1001V-7.5-XX

Pole	2	3	4	5	6	7	8	9	10	11	12	13
Length	15	22,5	30	37,5	45	52,5	60	67,5	75	82,5	90	97,5
Pitch	7,5	15	22,5	30	37,5	45	52,5	60	67,5	75	82,5	90

Pole	14	15	16	17	18	19	20	21	22	23	24
Length	105	112,5	120	127,5	135	142,5	150	157,5	165	172,5	180
Pitch	97,5	105	112,5	120	127,5	135	142,5	150	157,5	165	172,5

Part number

STB1001X-XXX-XX

STB1001	Style of connector
X	orientation
XXX	Pitch
XX	Poles 2,3,4,5,6,7,8, 9,10, 11,12, 13,14,15,16,17,18,19,20, 21,22,23,24

Ordering information

Ordering can be done via www.summit-electronics.com or via info@summit-electronics.com. Please contact us for more information. Customisation of the product is available on request.

Technical support

For all product questions please contact us via info@summit-electronics.com

Document revision

Rev	Date	changes
V01.00	06-04-2023	First issue of document

Terminal Block, Header

STB1001V-7.5-XX

